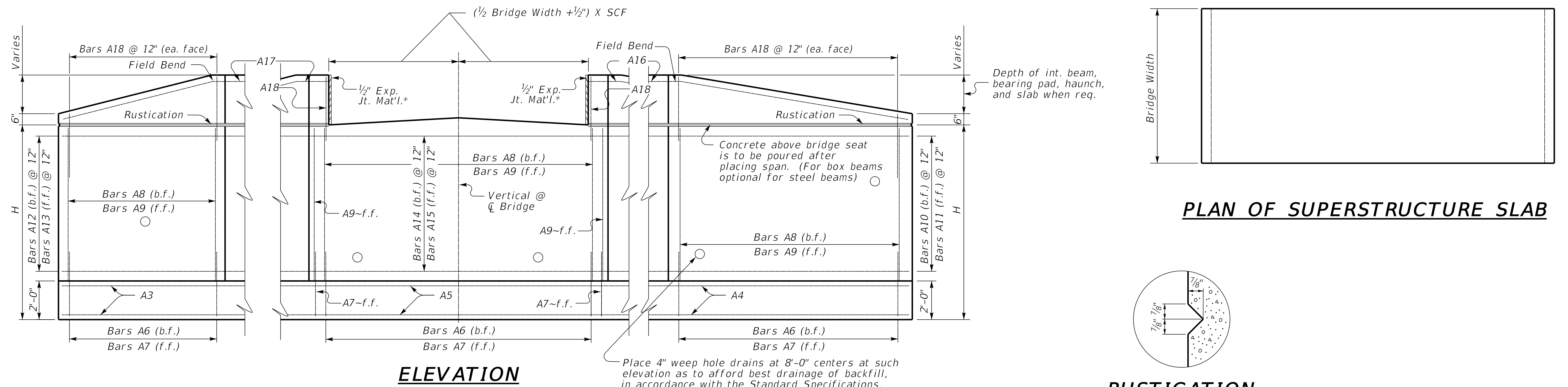
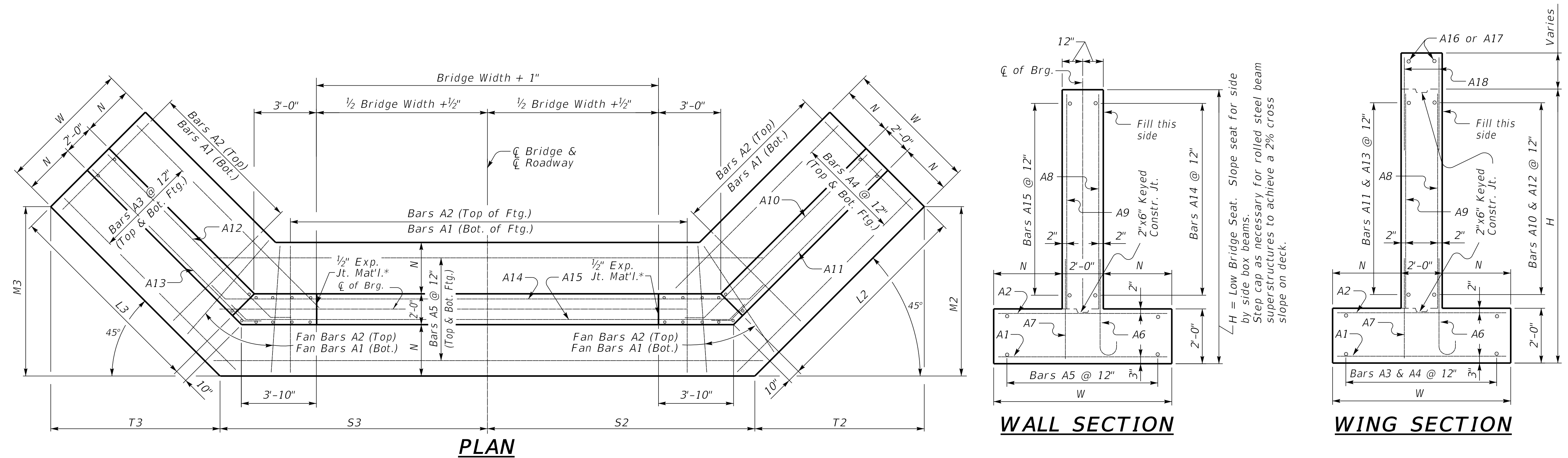


0° SKEW VARIABLE BRIDGE WIDTH 2:1 FILL SLOPES 45° SKEW FROM ROADWAY ON WINGS

ABUTMENT SKEW CORRECTION FACTOR (SCF) = 1.000



*Expansion Joint Material:
AASHTO M153
Type-I Sponge Rubber
Type-II Cork permitted with contractor provided documentation that the Build America Buy America requirements are satisfied.

SUBMITTED *Michael Cost* 10/25/2024
DIVISION DIRECTOR DATE